

FLOW REGULATOR



General Description

Smartflow® flow regulators provide a unique, leak-free, single-point manual flow control. This regulator incorporates the proven mechanical flowmeter and integral needle valve in a compact design. Very few moving parts improve reliability and leak-free operation.

Used singly or in combination with a water manifold, the flow regulator allows manual control of individual cooling water lines.

Brass valve, EPDM o-rings, and polysulfone viewing window are compatible with most process liquids.

Optional temperature gauge may be added for additional process control information. Brass quick-connect fittings are available.

Features and Benefits

- **Compact size** works well in restricted-space locations.
- **Rugged construction** gives years of dependable service.
- **240°F (115°C) Temperature Rating** allows installation into a wide range of applications.
- **Optional Temperature Gauge** displays additional process information.
- **No Mounting Restrictions** ease installation in any position without extra brackets or hardware.





Model Number

FR 3 - B - 25

Inlet Size		Flow Rate (maximum) (gallons per minute)
1/4"NPT(F)	2	1.5 gpm
1/4"BSPP(F)	2B	
3/8"NPT(F)	3	2.5 gpm
3/8"BSPP(F)	3B	
1/2"NPT(F)	4	10 lpm (liters per minute)
1/2"BSPP(F)	4B	

Accessories

- A Flow regulator only
- B Thermometer
- E Thermometer and quick change socket and plug

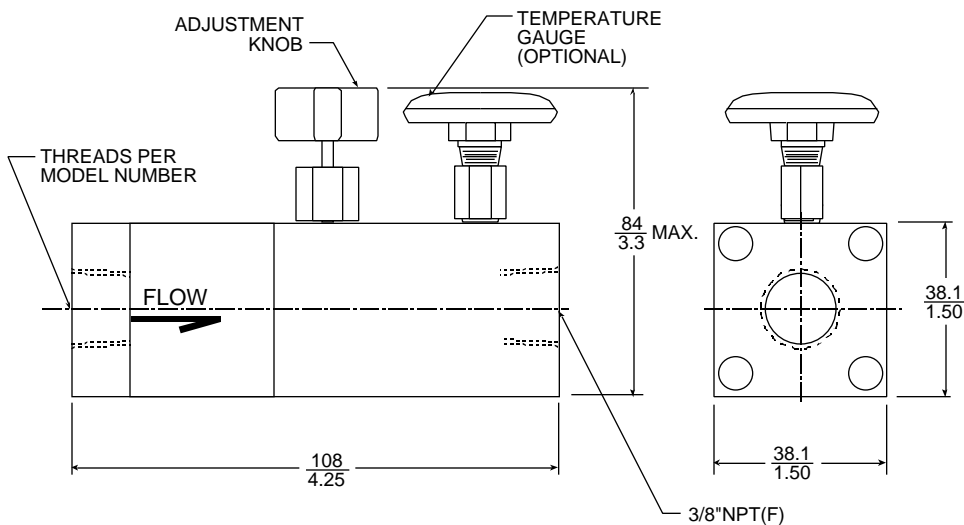
Wetted Parts and Materials

End Caps & Regulator Body	Brass
Flow Body	Polysulfone
Vane	Glass-Filled Nylon
Spring	Stainless Steel
O-Rings	EPDM
Cap Screws	Stainless Steel
Optional Quick-Connect Fittings	Brass

Specifications

Flow Accuracy	±10% full scale
Operating Temperature	240°F max. (115°C max.)
Operating Pressure	150 psi max. (10.3 bar max.)
Dial Thermometer	0° to 250°F (-20° to 120°C) ±2% accuracy (full scale)

Dimensions



Linear = $\frac{\text{mm}}{\text{inches}}$